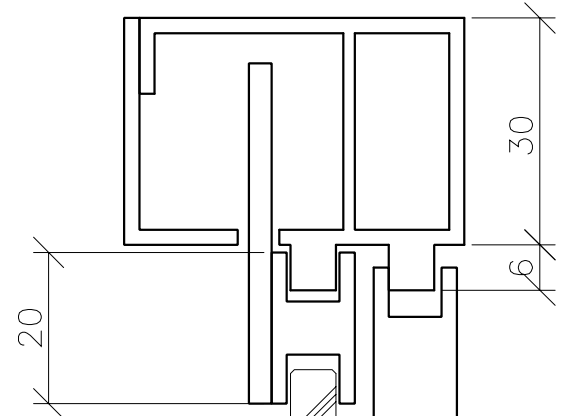


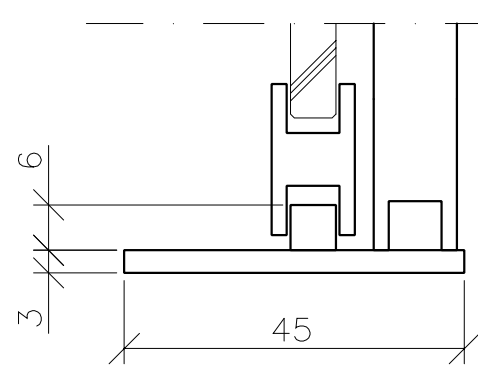
5



INSIDE

OUTSIDE

6



EXPLANATIONS
ALL MEASURES ARE IN MILLIMETERS.

NOTES
THE SLIDING WINDOW SHALL BE TYPE 4507, SVALSON AB SWEDEN (+46 911 66725).

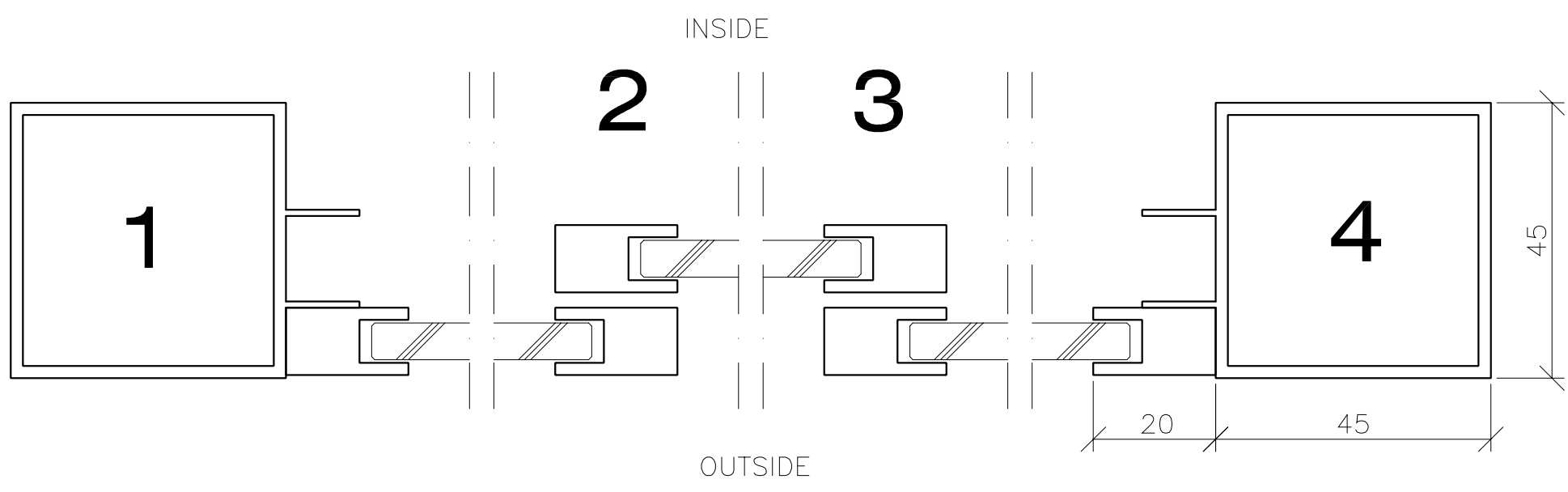
CONSTRUCTION
MOTOR, TRANSMISSION AND AUTOMATIC LOCKING SHALL BE PLACED WITHIN THE FRAME.

LOCKING
THE SLIDING WINDOW SHALL BE LOCKED AUTOMATICALLY IN CLOSED POSITION.

FINISH
THE ALUMINIUMPROFILES SHALL BE SATIN ANODISED. (OR ANY OTHER FINISH, FOR INSTANCE COLOR COATED OR ANODISED IN OTHER COLORS.)

GLAS
6 mm FLOATGLASS. (OR OTHER TYPE OF GLASS WITH A MAXIMUM THICKNESS OF 6.5 mm. FOR INSTACE 6 mm HARDENED GLASS OR 6 mm LAMINATED GLASS.)

OPENINGSPEED
THE OPENINGSPEED OF THE SLIDING WINDOW IS APPROX. 200 mm/SECOND.



REV	TYPE OF REVISION	DATE	SIGN

SVALSON
SVALSON AB
Phone +46 911-66725
Telefax +46 911-66680
http://www.svalson.com

Box 584
S-943 28 Öjebyn
SWEDEN

SLIDING WINDOW TYPE 4507		VIEW FROM OUTSIDE	<input checked="" type="checkbox"/>
DRAWN/DESIGN	SCALE	VIEW FROM INSIDE	<input type="checkbox"/>
---	1:10, 1:1		
DATE	DRAWING NUMBER		
DD.MM.YY	4507.		